

SAMSUNG PROPRIETARY  
 THIS DOCUMENT CONTAINS CONFIDENTIAL  
 PROPRIETARY INFORMATION THAT IS  
 SAMSUNG ELECTRONIS CO'S PROPRIETARY.  
 DO NOT DISCLOSE TO OR DUPLICATE FOR OTHERS  
 EXCEPT AS AUTHORIZED BY SAMSUNG.

BLOCK NAME      BLK. PAGE NO.  
 cb10qs\_mp1      1 OF 11

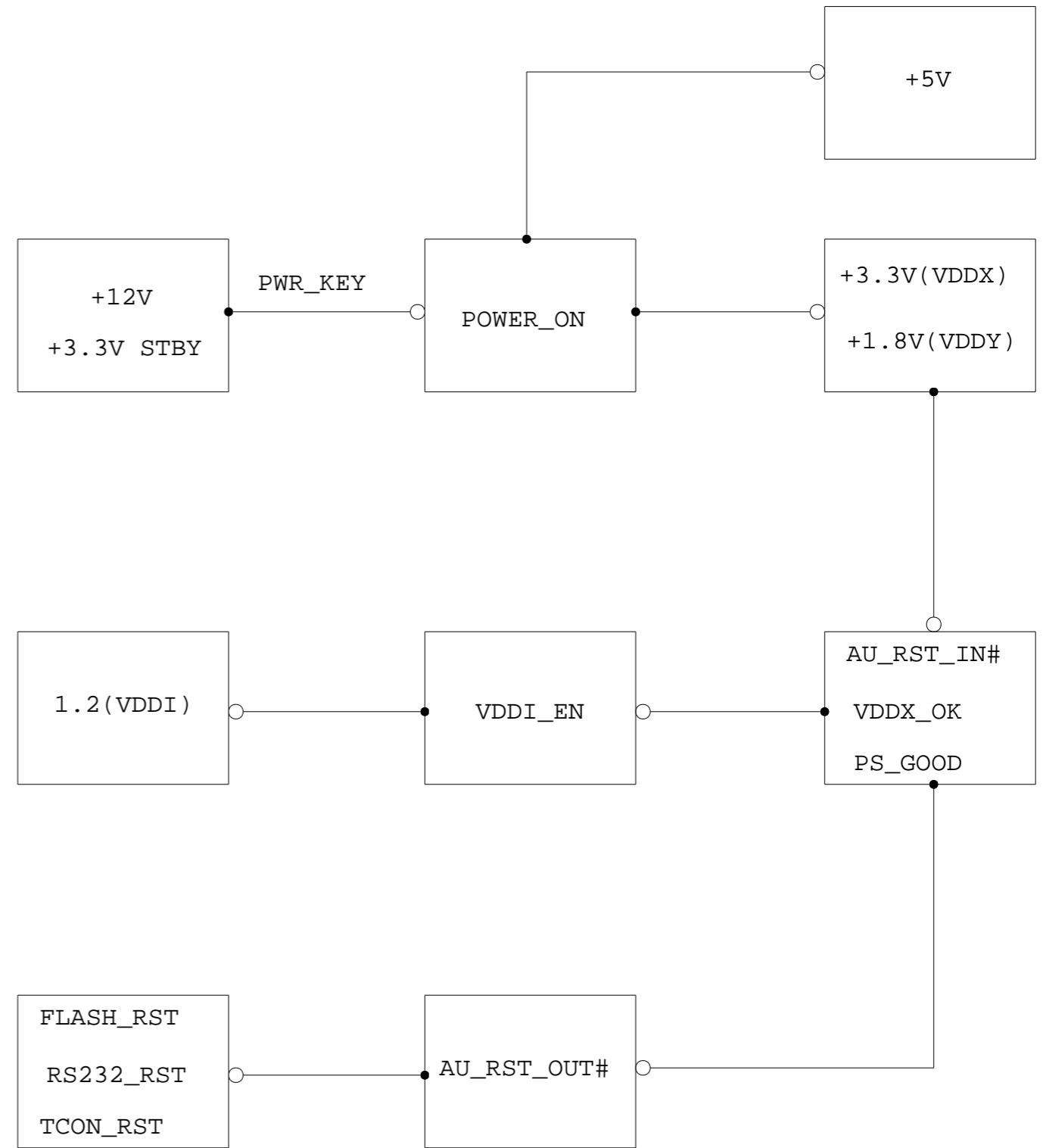
# PHOTO FRAME

## TABLE OF CONTENTS

1. COVER & POWER DIAGRAM
2. BLOCK DIAGRAM
3. CPU 1/3
4. CPU 2/3, 3/3
5. DDR2 & FLASH MEMORY
6. I/O PORT & CONTROLLER
7. AUDIO
8. BATTERY
9. POWER & SUB MICOM & KEY
10. DISPLAY

MODEL NAME : CB10QS  
 PBA NAME : MAIN  
 PBA NAME : BN41-01115A  
 DEV. STEP : MP1.0

DRAW	CHECK	APPROVAL



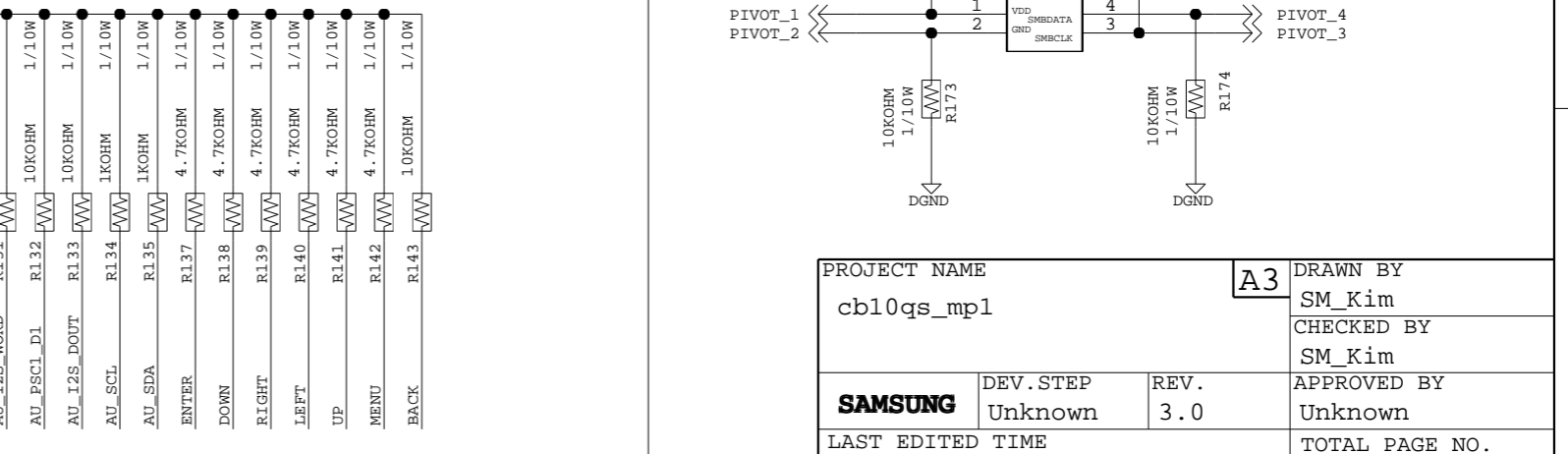
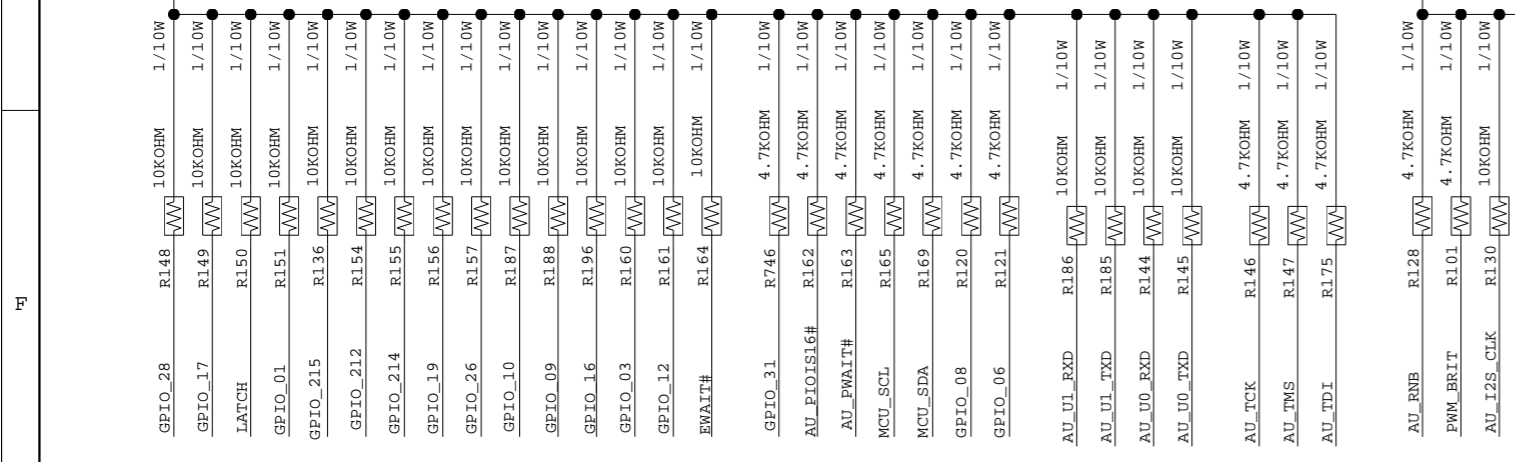
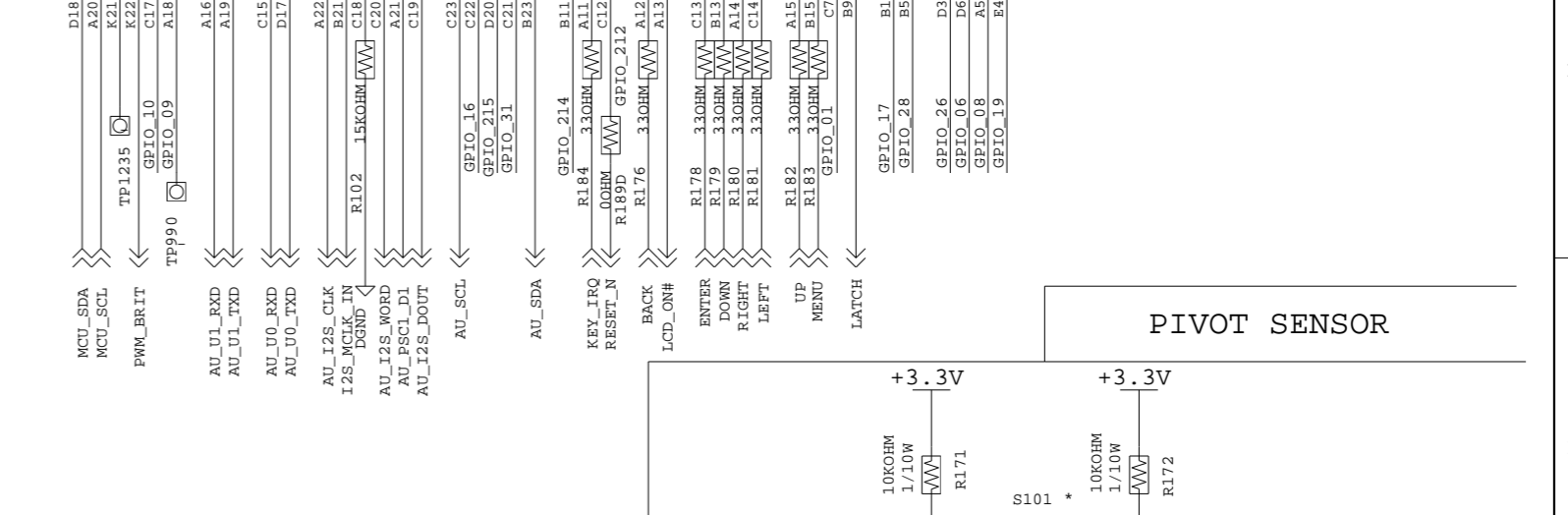
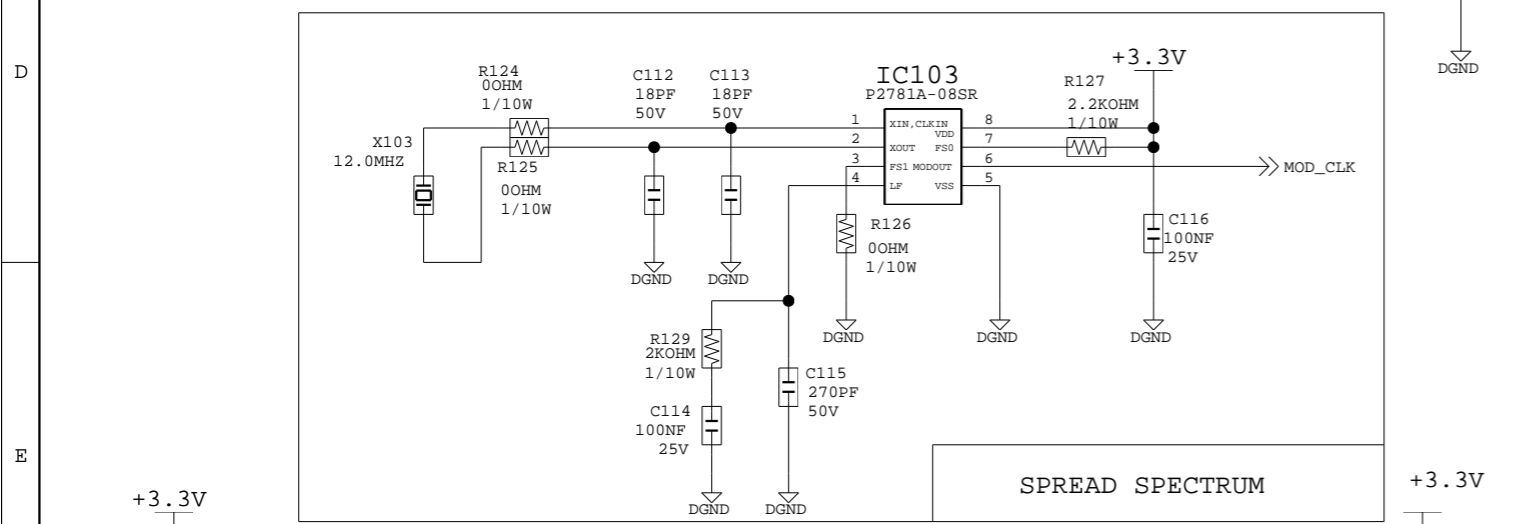
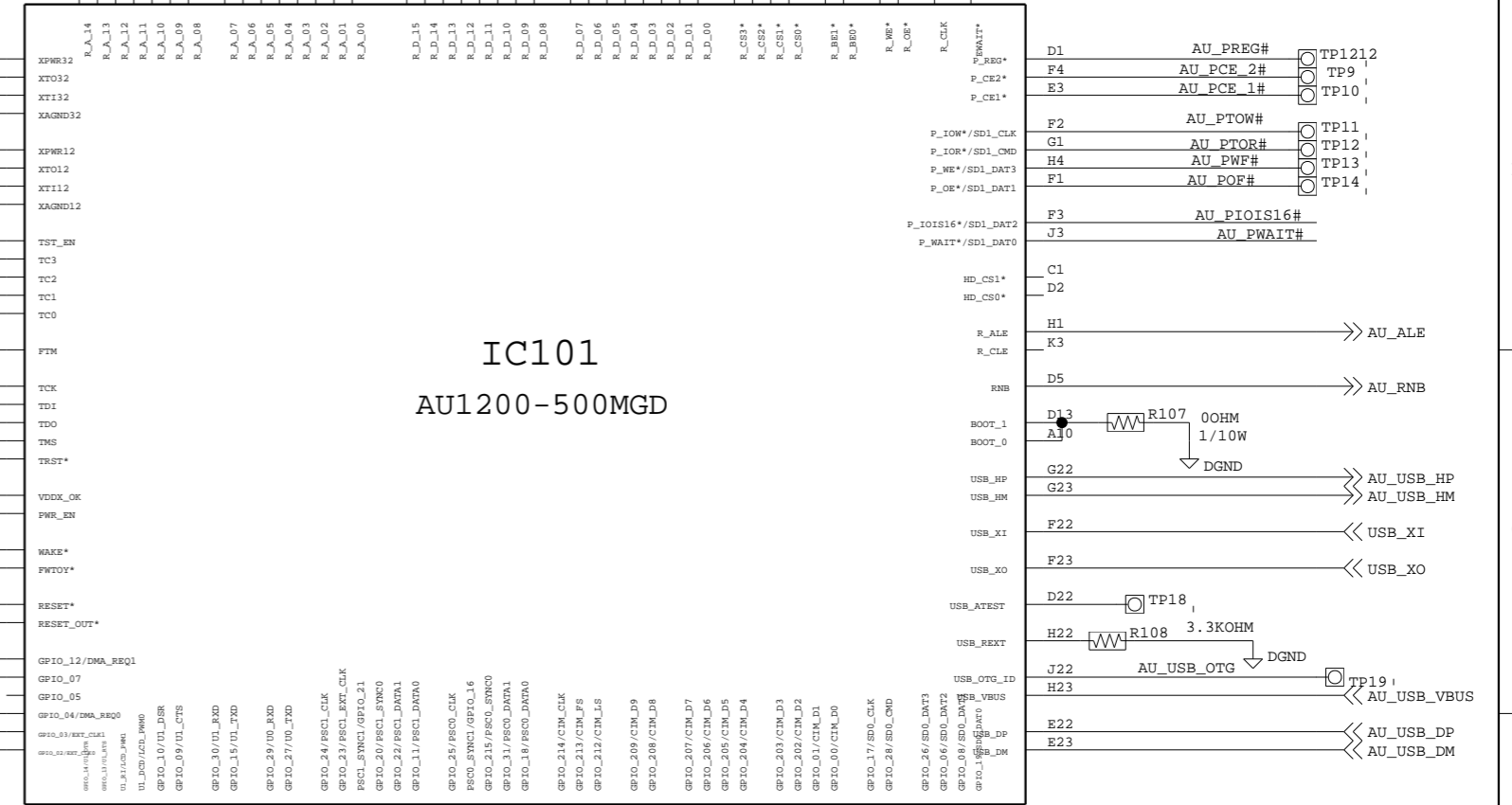
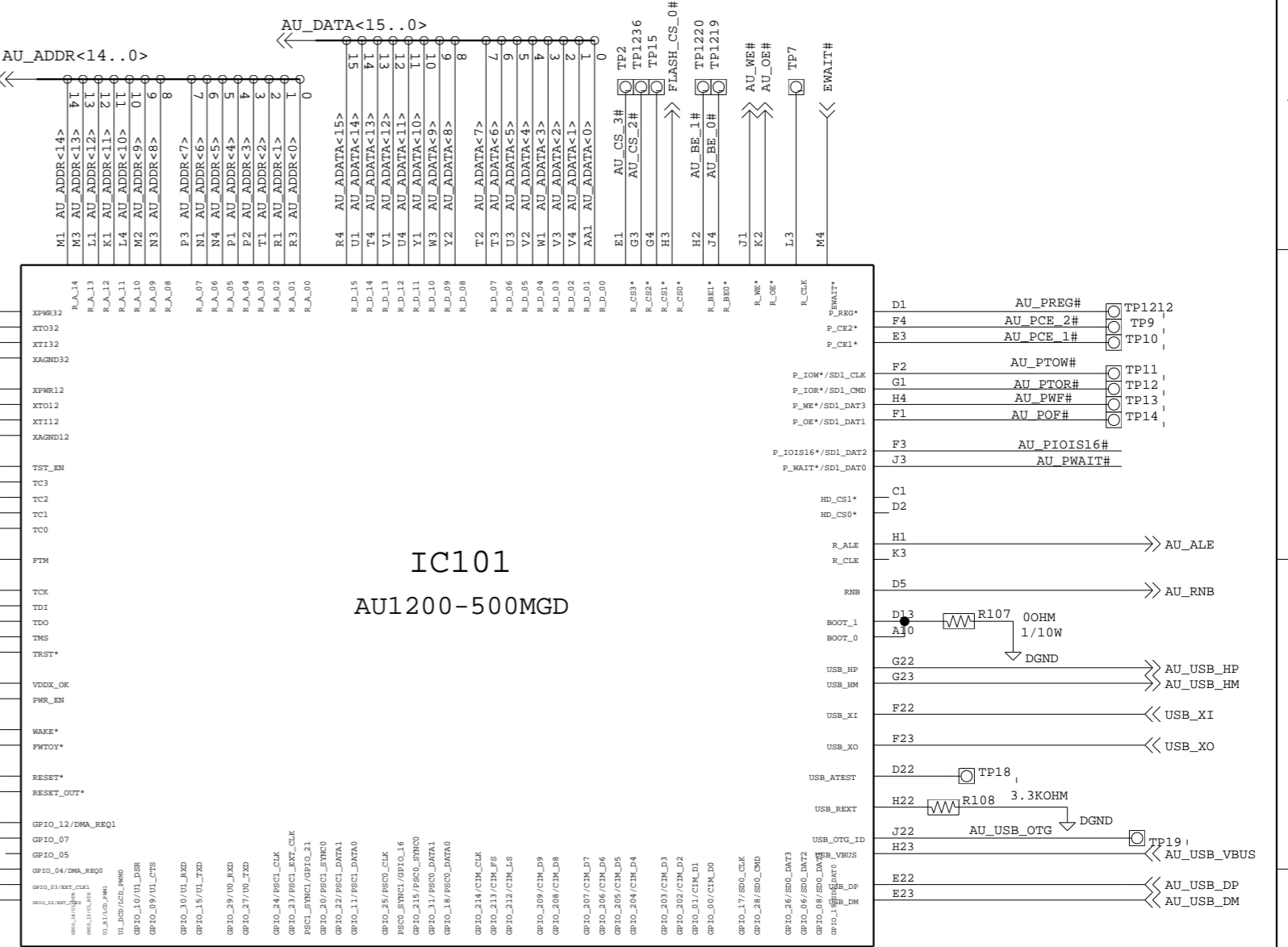
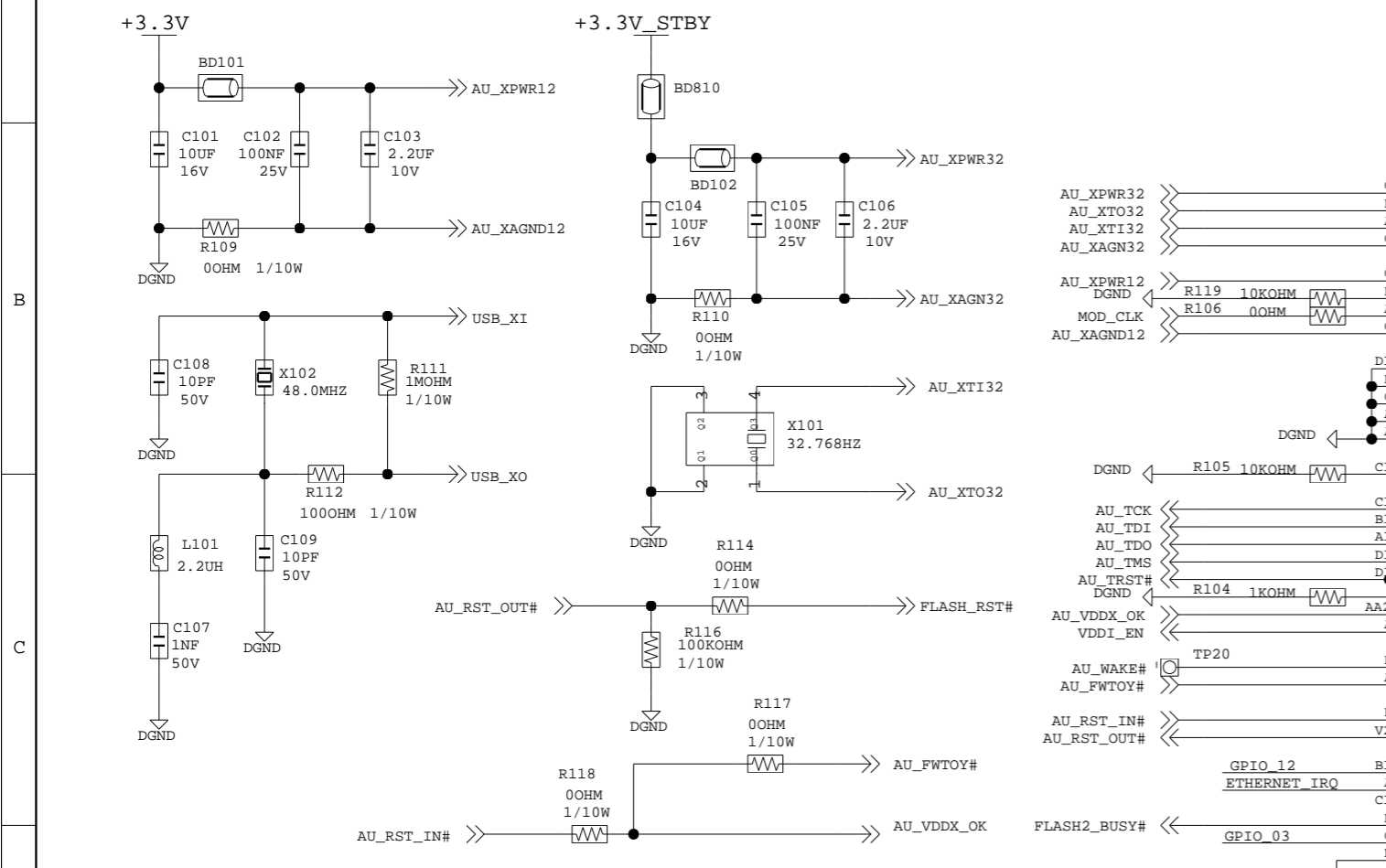
PROJECT NAME cb10qs_mp1		A3	DRAWN BY SM_Kim
SAMSUNG		DEV.STEP Unknown	CHECKED BY SM_Kim
LAST EDITED TIME Wed Aug 20 13:25:01 2008		REV. 3.0	APPROVED BY Unknown
		TOTAL PAGE NO. 1 OF 11	

	1	2	3	4	5	6	7	8																
A	<p style="text-align: center;">SAMSUNG PROPRIETARY THIS DOCUMENT CONTAINS CONFIDENTIAL PROPRIETARY INFORMATION THAT IS SAMSUNG ELECTRONIS CO'S PROPRIETARY. DO NOT DISCLOSE TO OR DUPLICATE FOR OTHERS EXCEPT AS AUTHORIZED BY SAMSUNG.</p>									A														
	<table border="1"> <tr> <td>BLOCK NAME cb10qs_mp1</td> <td>BLK PAGE NO. 2 OF 11</td> </tr> </table>		BLOCK NAME cb10qs_mp1	BLK PAGE NO. 2 OF 11																				
BLOCK NAME cb10qs_mp1	BLK PAGE NO. 2 OF 11																							
B									B															
C									C															
D									D															
E									E															
F							<table border="1"> <tr> <td>PROJECT NAME cb10qs_mp1</td> <td><b>A3</b></td> <td>DRAWN BY SM_Kim</td> </tr> <tr> <td></td> <td></td> <td>CHECKED BY SM_Kim</td> </tr> <tr> <td><b>SAMSUNG</b></td> <td>DEV.STEP Unknown</td> <td>REV. 3.0</td> </tr> <tr> <td>LAST EDITED TIME Wed Aug 20 13:25:01 2008</td> <td colspan="2">APPROVED BY Unknown</td> </tr> <tr> <td></td> <td colspan="2">TOTAL PAGE NO. 2 OF 11</td> </tr> </table>		PROJECT NAME cb10qs_mp1	<b>A3</b>	DRAWN BY SM_Kim			CHECKED BY SM_Kim	<b>SAMSUNG</b>	DEV.STEP Unknown	REV. 3.0	LAST EDITED TIME Wed Aug 20 13:25:01 2008	APPROVED BY Unknown			TOTAL PAGE NO. 2 OF 11		F
PROJECT NAME cb10qs_mp1	<b>A3</b>	DRAWN BY SM_Kim																						
		CHECKED BY SM_Kim																						
<b>SAMSUNG</b>	DEV.STEP Unknown	REV. 3.0																						
LAST EDITED TIME Wed Aug 20 13:25:01 2008	APPROVED BY Unknown																							
	TOTAL PAGE NO. 2 OF 11																							
	1	2	3	4	5	6	7	8																

# [ CPU 1/3 ]

SAMSUNG PROPRIETARY  
 THIS DOCUMENT CONTAINS CONFIDENTIAL  
 PROPRIETARY INFORMATION THAT IS  
 SAMSUNG ELECTRONICS CO.'S PROPRIETARY.  
 DO NOT DISCLOSE TO OR DUPLICATE FOR OTHERS  
 EXCEPT AS AUTHORIZED BY SAMSUNG.

BLOCK NAME: cb10qs\_mp1  
 BLK PAGE NO: 3 OF 11

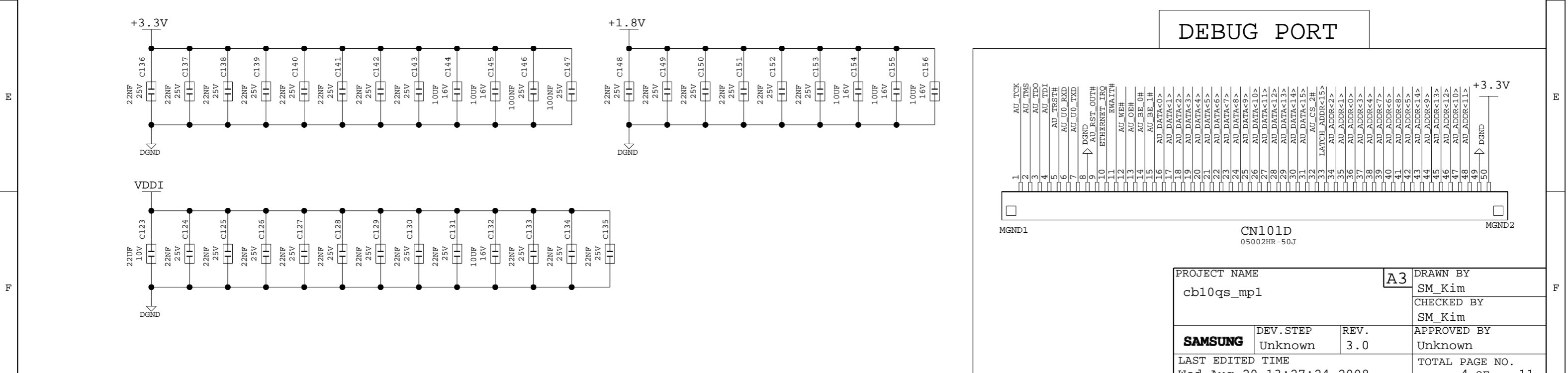
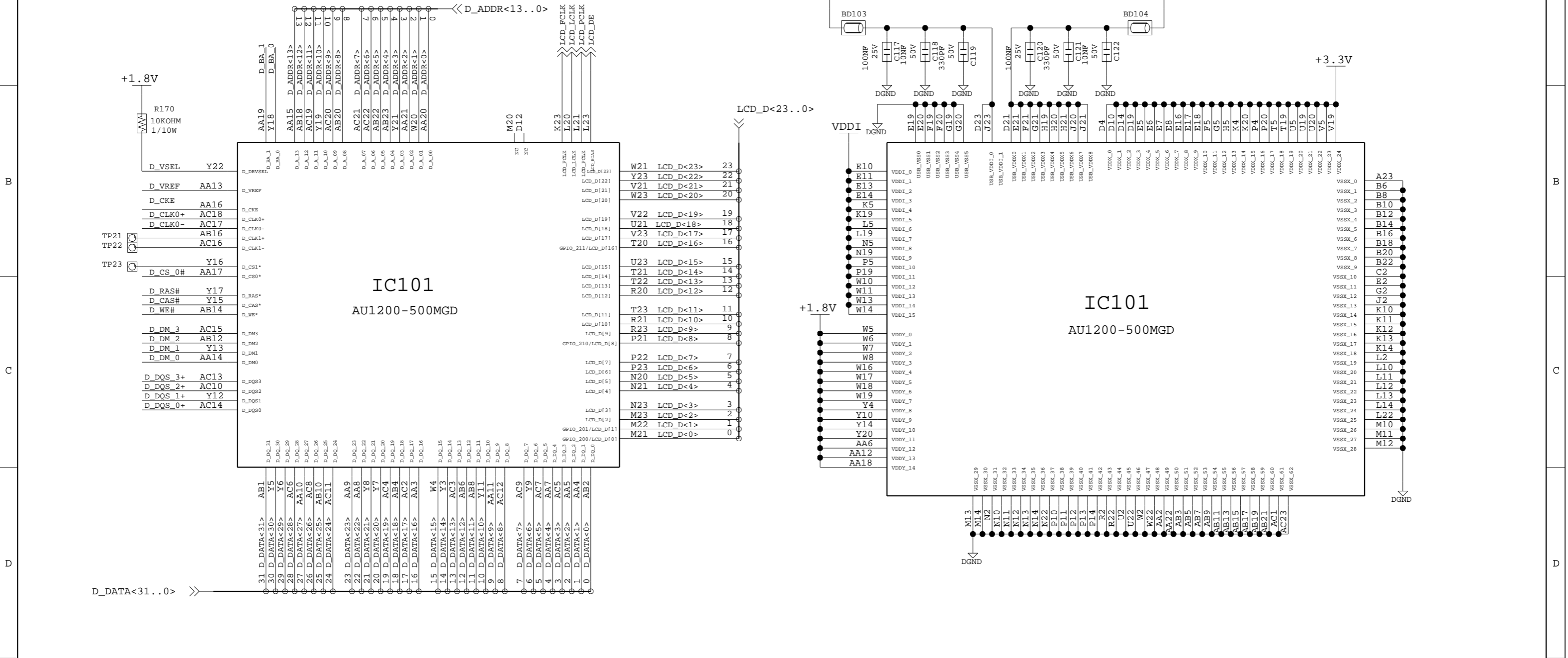


PROJECT NAME	cb10qs_mp1		
DEV.STEP	Unknown	REV.	3.0
LAST EDITED TIME	Wed Aug 20 13:27:20 2008		
DRAWN BY	SM_Kim	CHECKED BY	SM_Kim
APPROVED BY	Unknown		
TOTAL PAGE NO.	3 OF 11		

SAMSUNG PROPRIETARY  
 THIS DOCUMENT CONTAINS CONFIDENTIAL  
 PROPRIETARY INFORMATION THAT IS  
 SAMSUNG ELECTRONICS CO.'S PROPRIETARY.  
 DO NOT DISCLOSE TO OR DUPLICATE FOR OTHERS  
 EXCEPT AS AUTHORIZED BY SAMSUNG.

# [ CPU 2/3 & 3/3 ]

BLOCK NAME: cb10qs\_mp1  
 BLK PAGE NO.: 4 OF 11



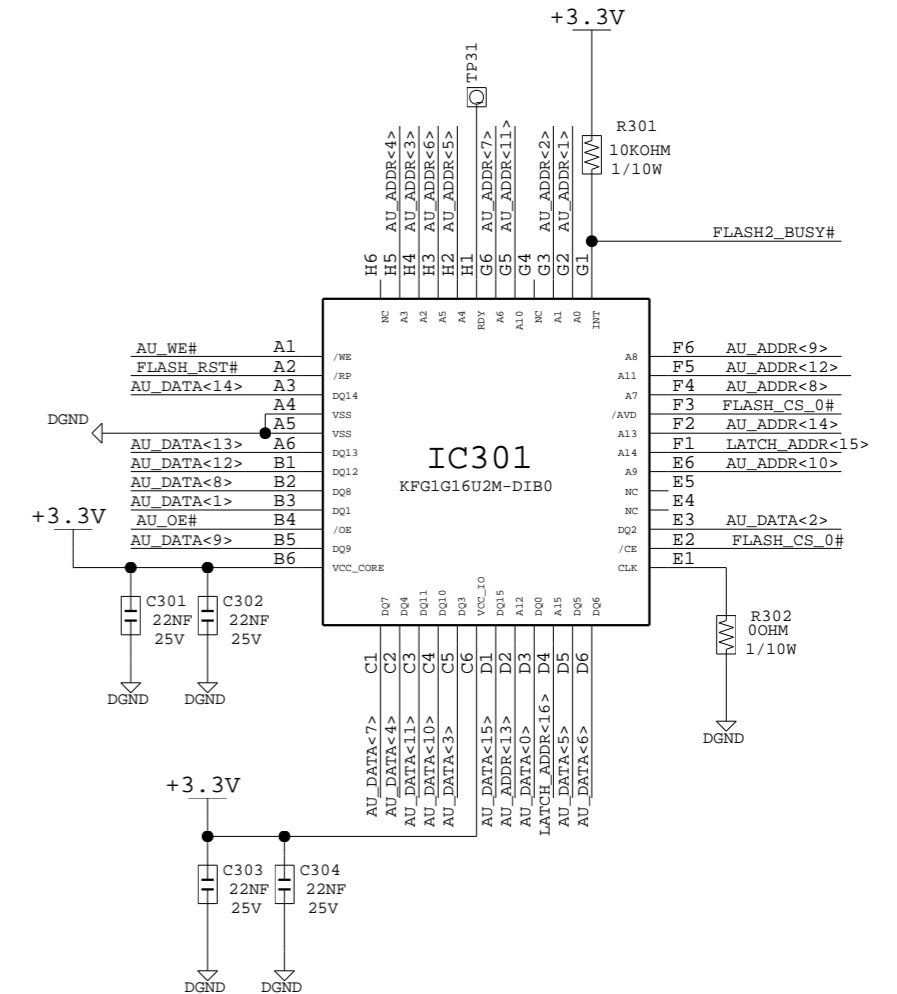
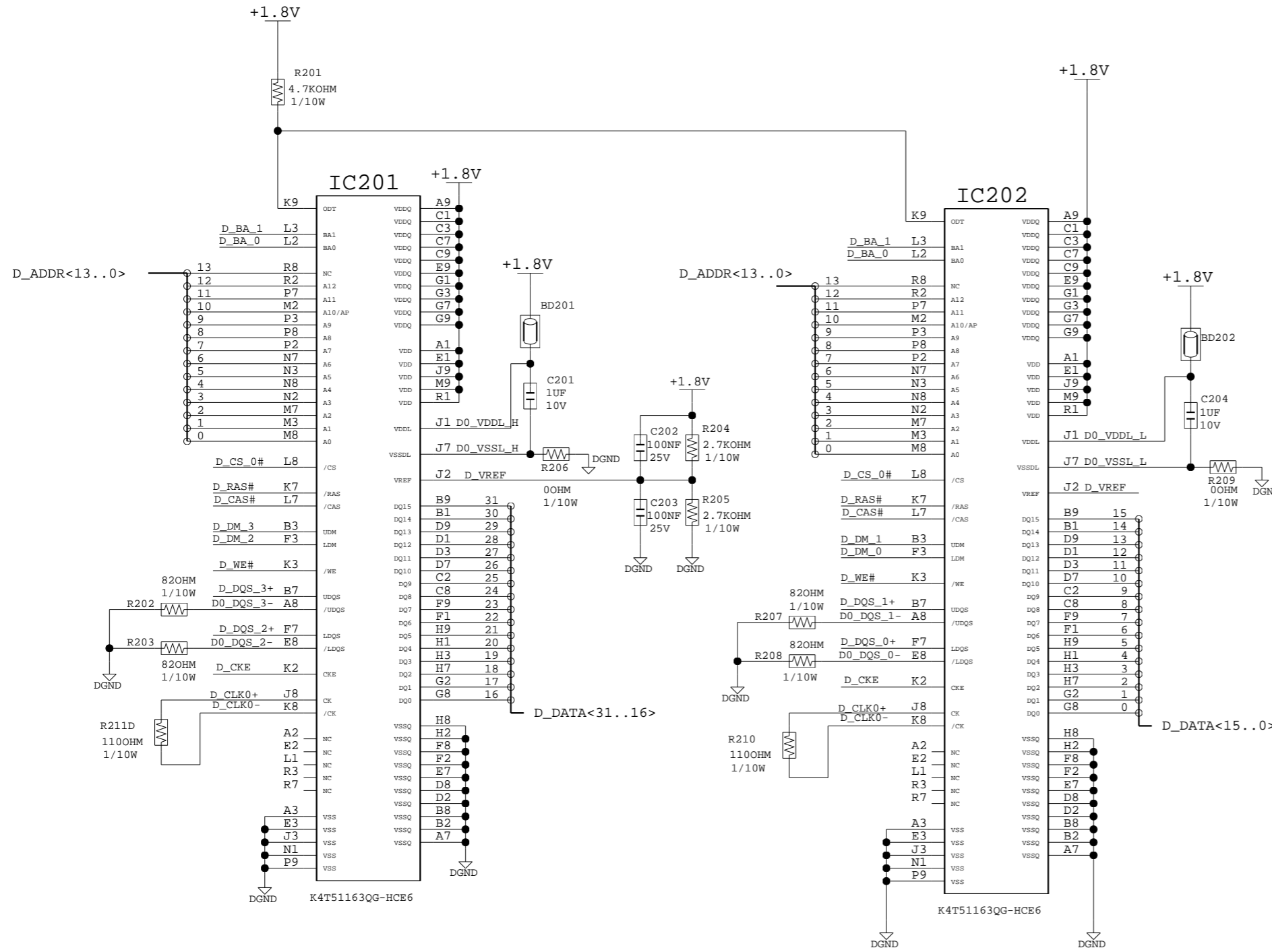
PROJECT NAME		A3		DRAWN BY	
cb10qs_mp1				SM_Kim	
SAMSUNG		DEV.STEP		CHECKED BY	
Unknown		3.0		SM_Kim	
LAST EDITED TIME		REV.		APPROVED BY	
Wed Aug 20 13:27:24 2008		3.0		Unknown	
				TOTAL PAGE NO.	
				4 OF 11	

SAMSUNG PROPRIETARY  
 THIS DOCUMENT CONTAINS CONFIDENTIAL  
 PROPRIETARY INFORMATION THAT IS  
 SAMSUNG ELECTRONIC CO'S PROPRIETARY.  
 DO NOT DISCLOSE TO OR DUPLICATE FOR OTHERS  
 EXCEPT AS AUTHORIZED BY SAMSUNG.

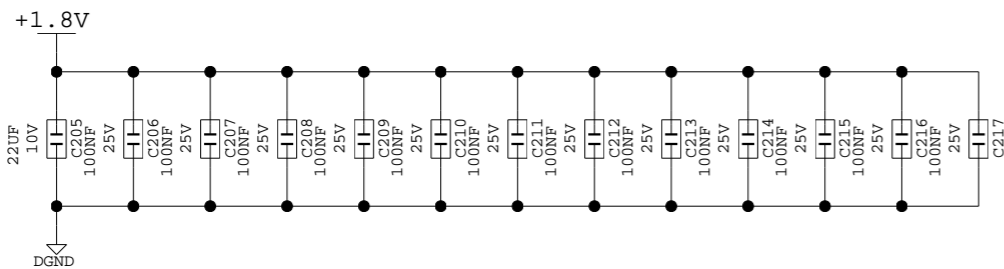
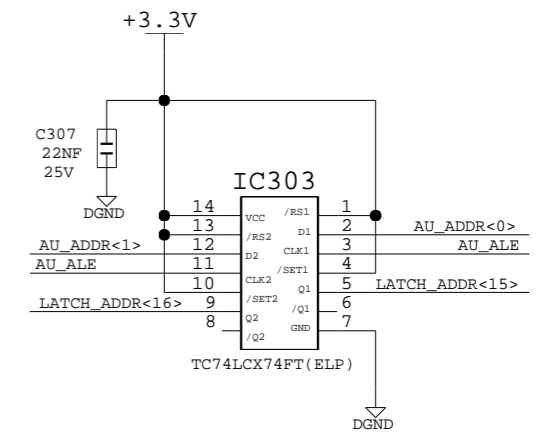
BLOCK NAME: cb10qs\_mp1  
 BLK PAGE NO: 5 OF 11

[ DDR2 MEMORY ]

[ ONENAND MEMORY ]



[ LATCH IC ]

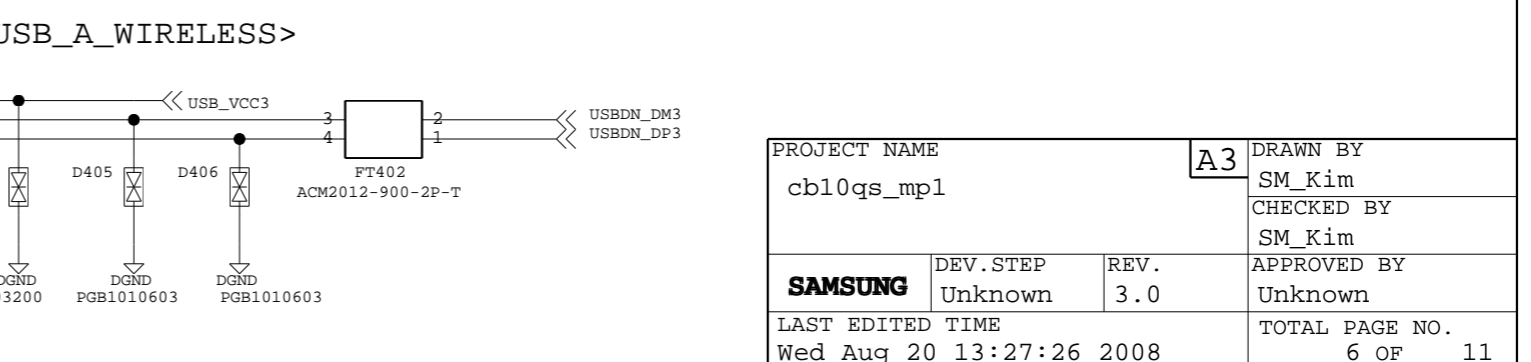
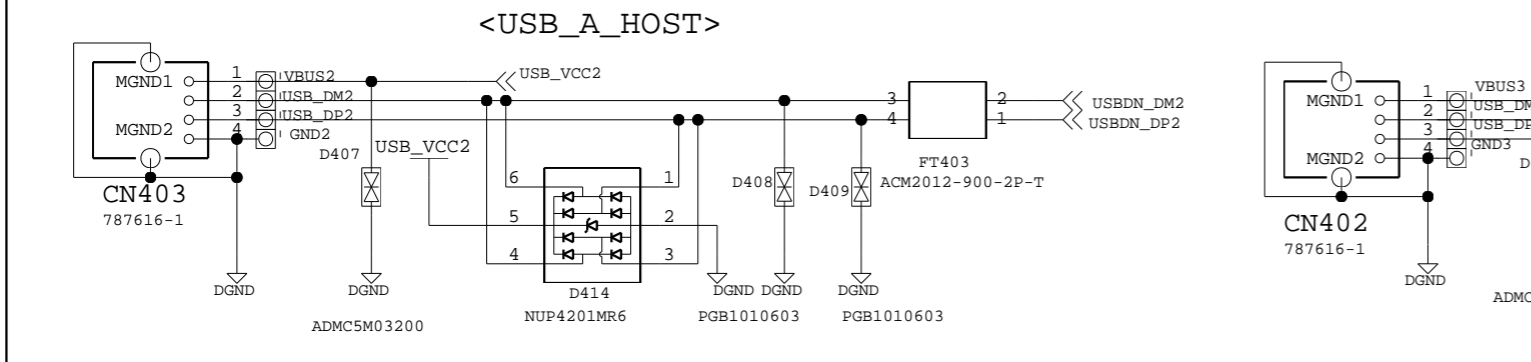
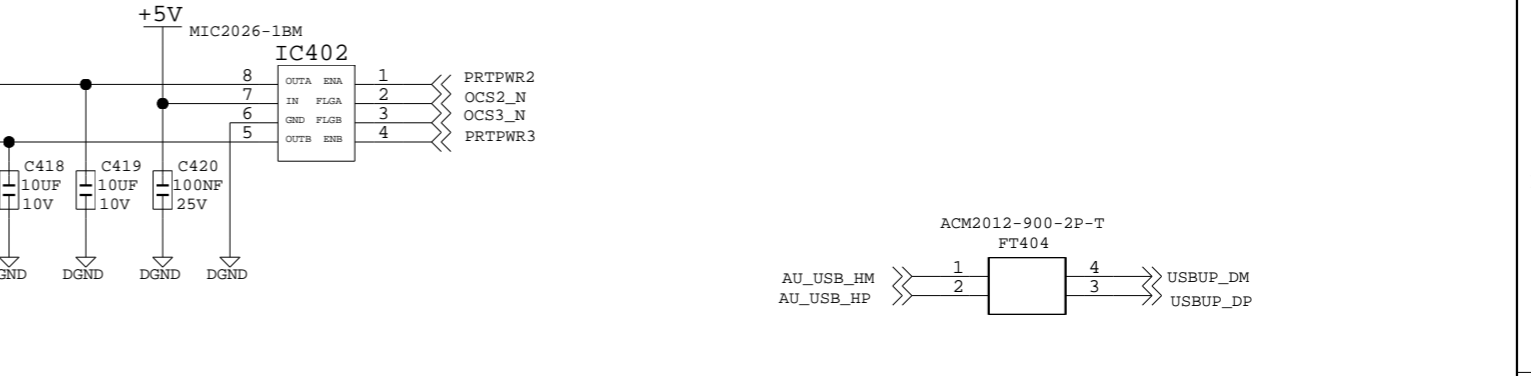
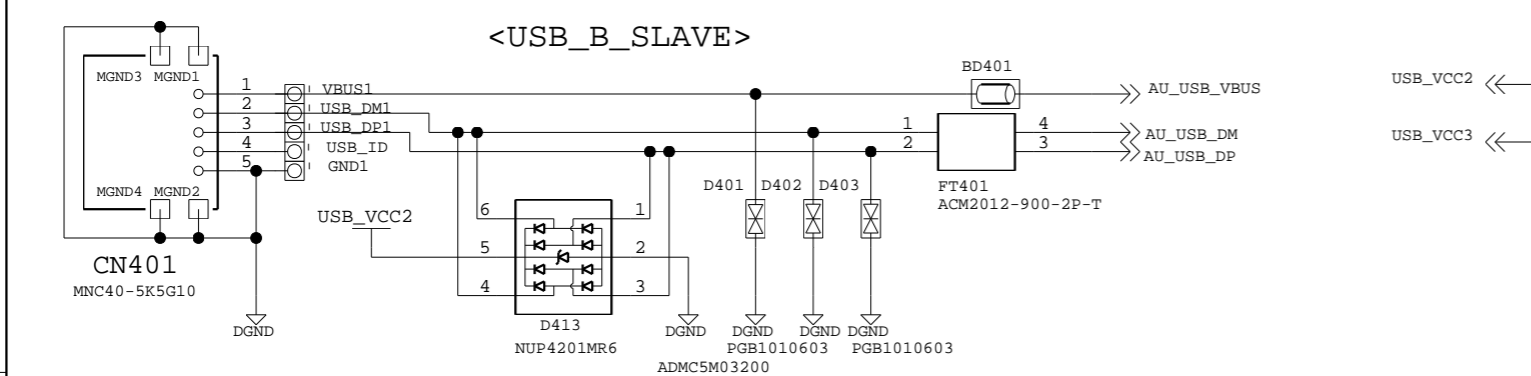
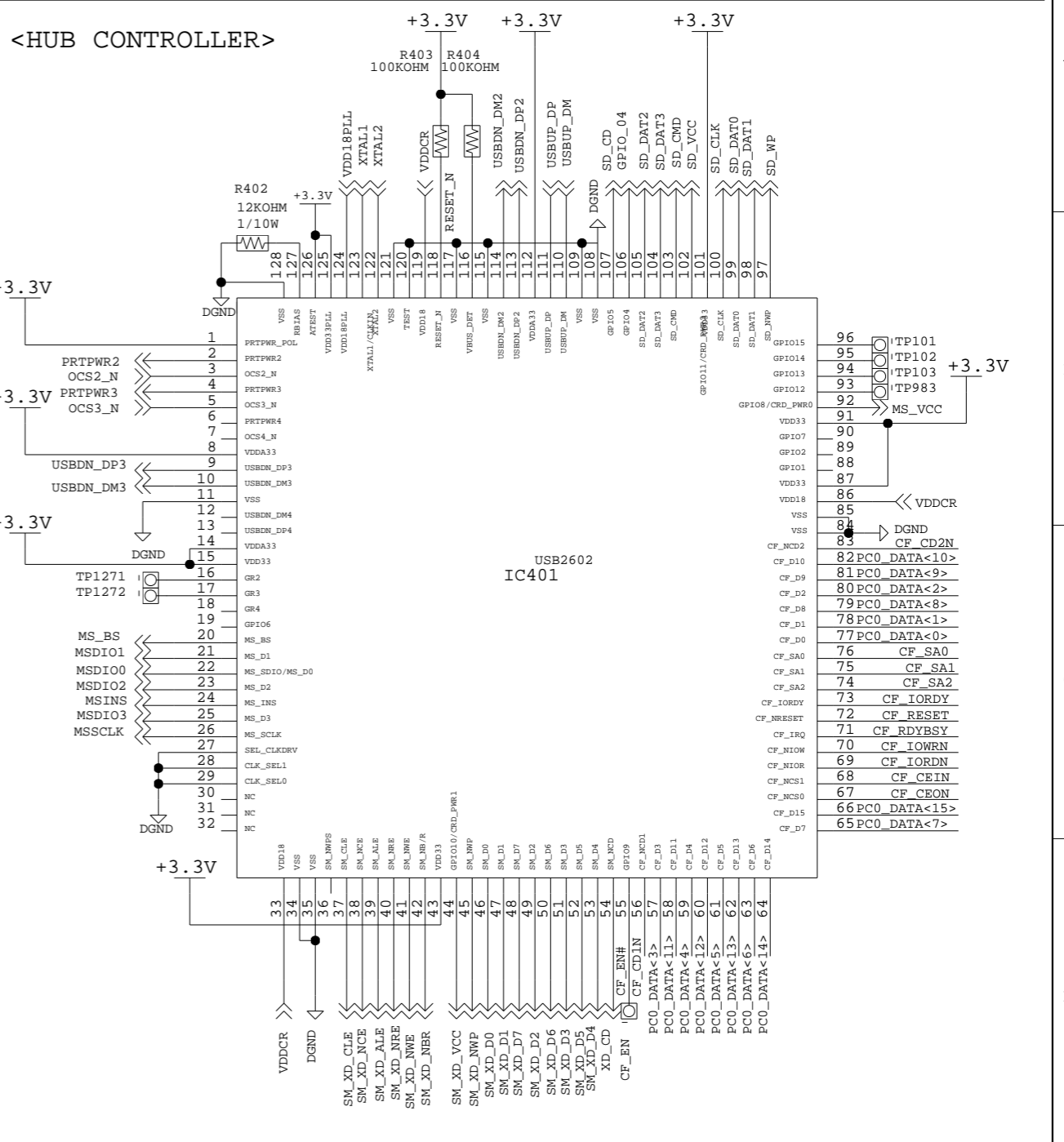
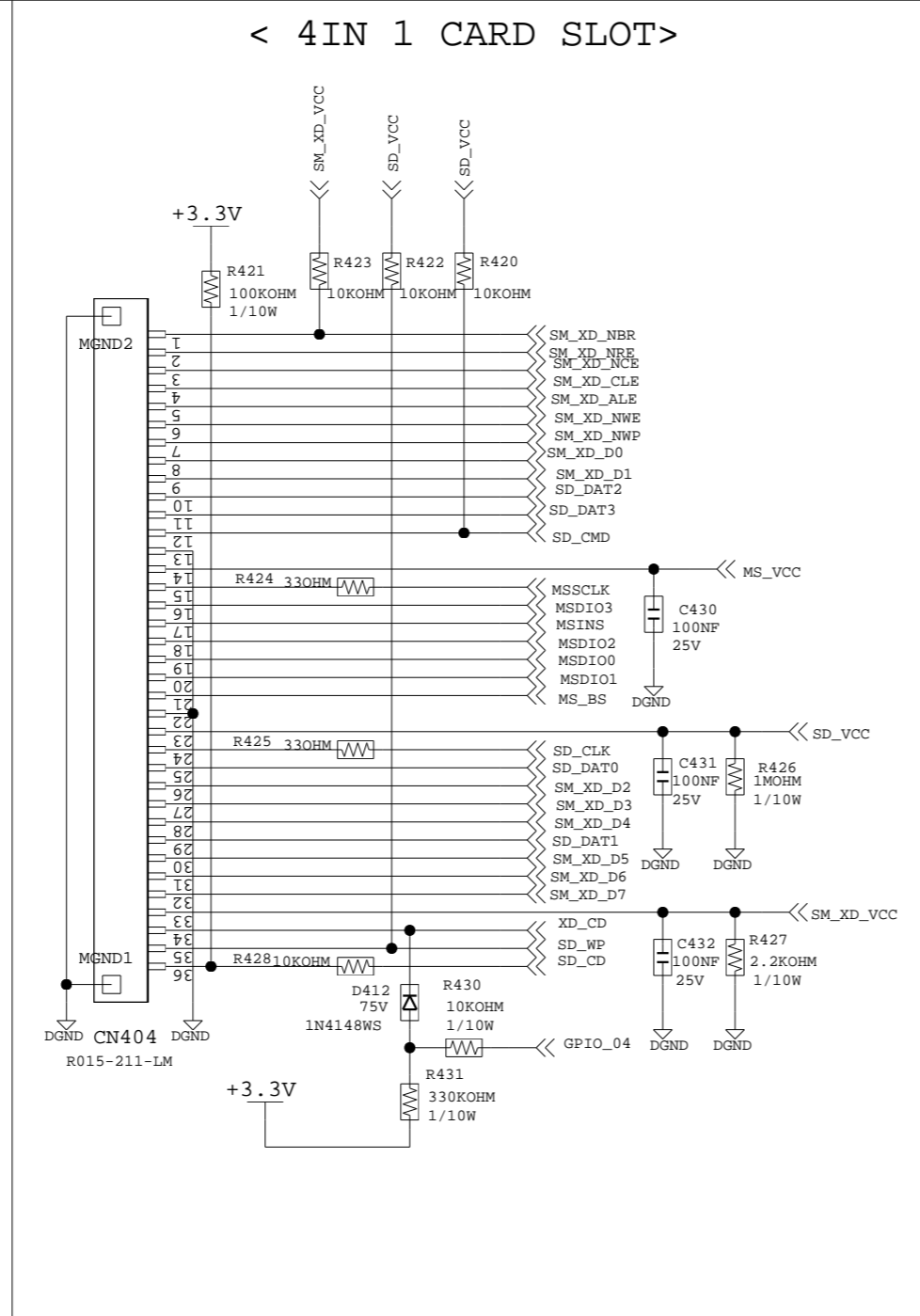
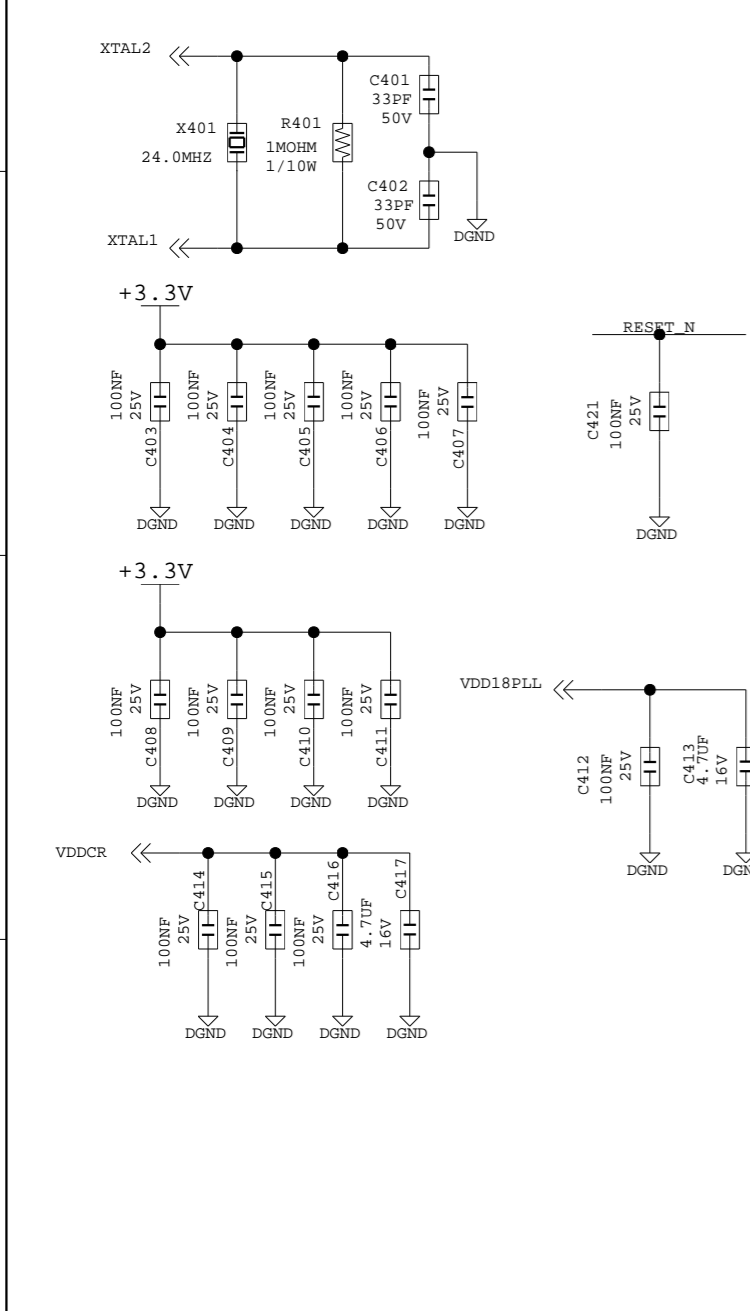


PROJECT NAME		A3		DRAWN BY	
cb10qs_mp1				SM_Kim	
SAMSUNG		DEV.STEP		CHECKED BY	
		Unknown		SM_Kim	
LAST EDITED TIME		REV.		APPROVED BY	
Wed Aug 20 13:27:30 2008		3.0		Unknown	
				TOTAL PAGE NO.	
				5 OF 11	

SAMSUNG PROPRIETARY  
 THIS DOCUMENT CONTAINS CONFIDENTIAL  
 PROPRIETARY INFORMATION THAT IS  
 SAMSUNG ELECTRONICS CO.'S PROPRIETARY.  
 DO NOT DISCLOSE TO OR DUPLICATE FOR OTHERS  
 EXCEPT AS AUTHORIZED BY SAMSUNG.

# [ I/O PORT & HUB CONTROLLER ]

BLOCK NAME: cb10qs\_mp1  
 BLK PAGE NO: 6 OF 11



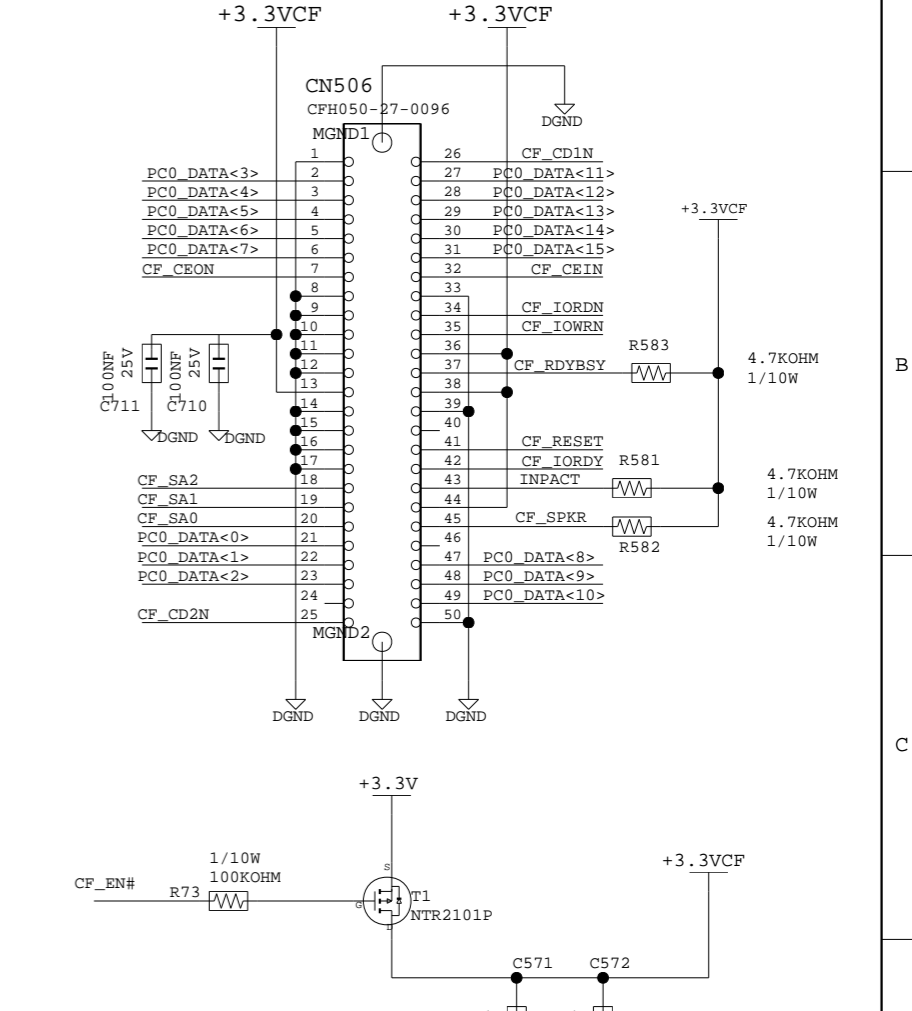
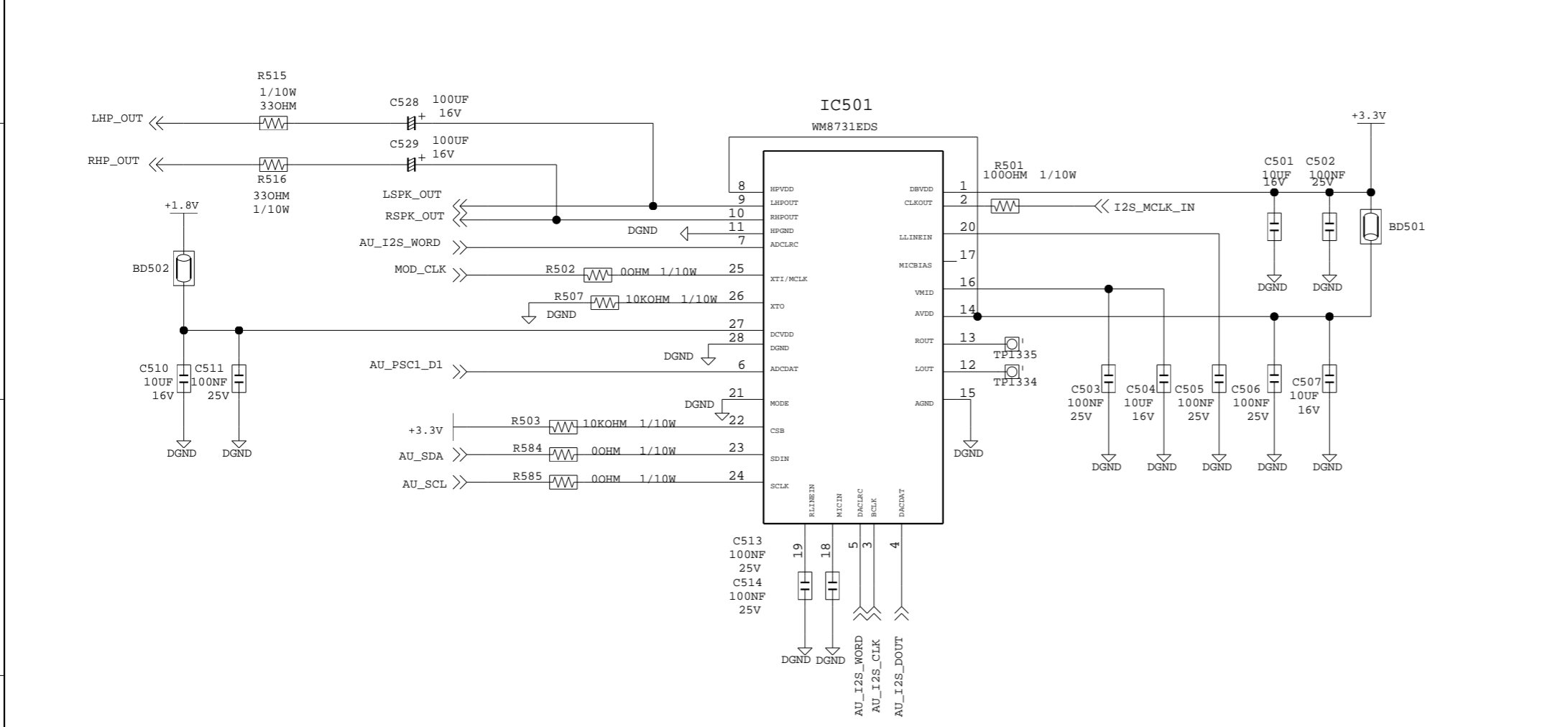
PROJECT NAME		A3		DRAWN BY	
cb10qs_mp1				SM_Kim	
SAMSUNG		DEV.STEP		CHECKED BY	
Unknown		REV.		SM_Kim	
3.0		APPROVED BY		Unknown	
LAST EDITED TIME		TOTAL PAGE NO.		6 OF 11	
Wed Aug 20 13:27:26 2008					

SAMSUNG PROPRIETARY  
 THIS DOCUMENT CONTAINS CONFIDENTIAL  
 PROPRIETARY INFORMATION THAT IS  
 SAMSUNG ELECTRONICS CO.'S PROPRIETARY.  
 DO NOT DISCLOSE TO OR DUPLICATE FOR OTHERS  
 EXCEPT AS AUTHORIZED BY SAMSUNG.

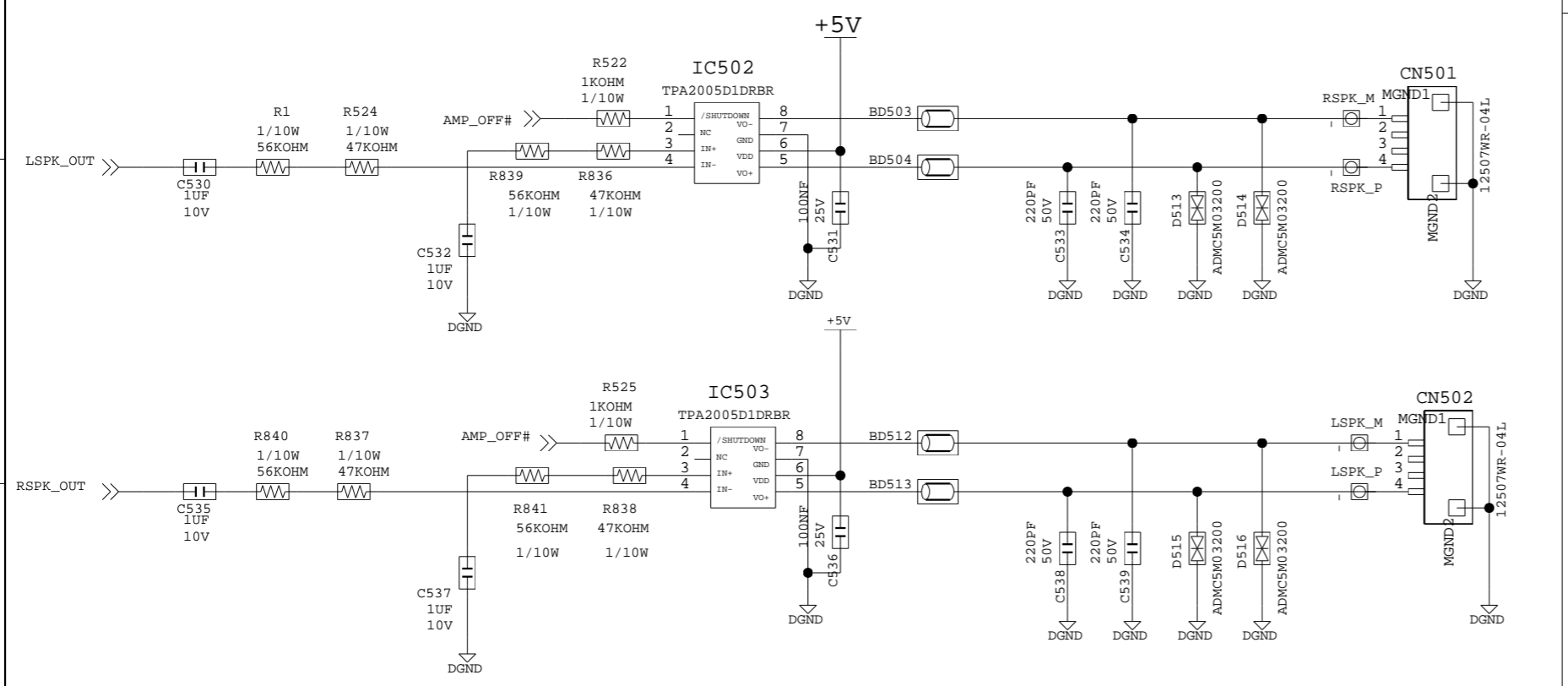
[ AUDIO & CF CARD SLOT ]

BLOCK NAME: cb10qs\_mp1  
 BLK\_PAGE NO.: 7 OF 11

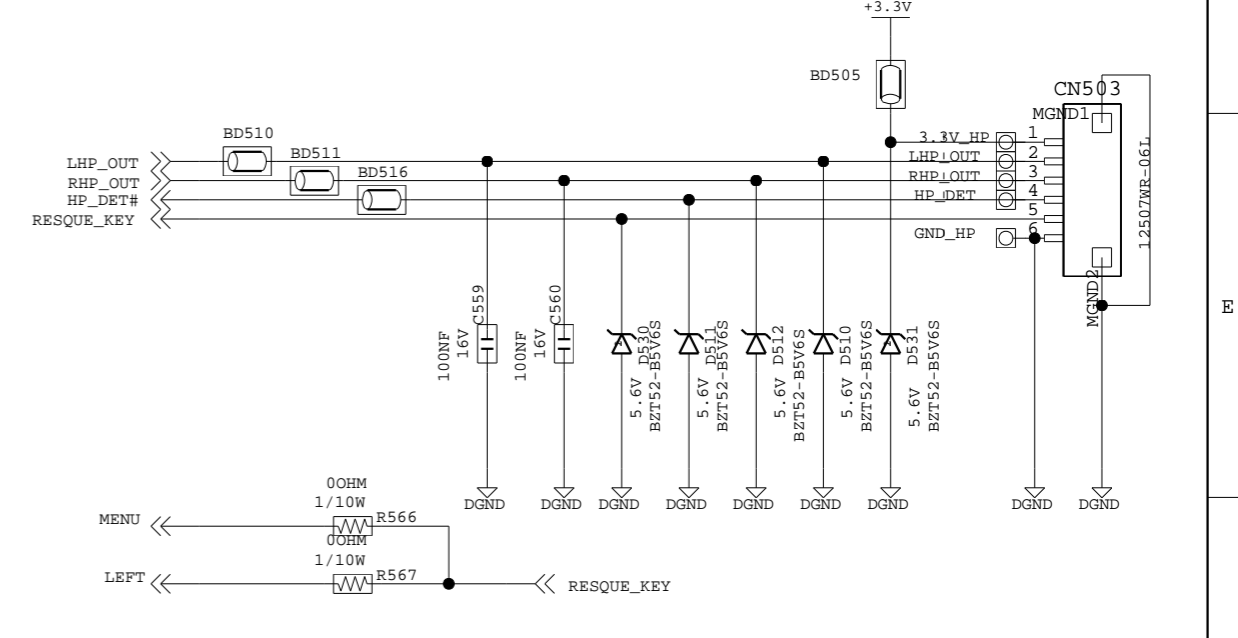
<CF CARD SLOT>



<SPEAKER>



<EARPHONE>

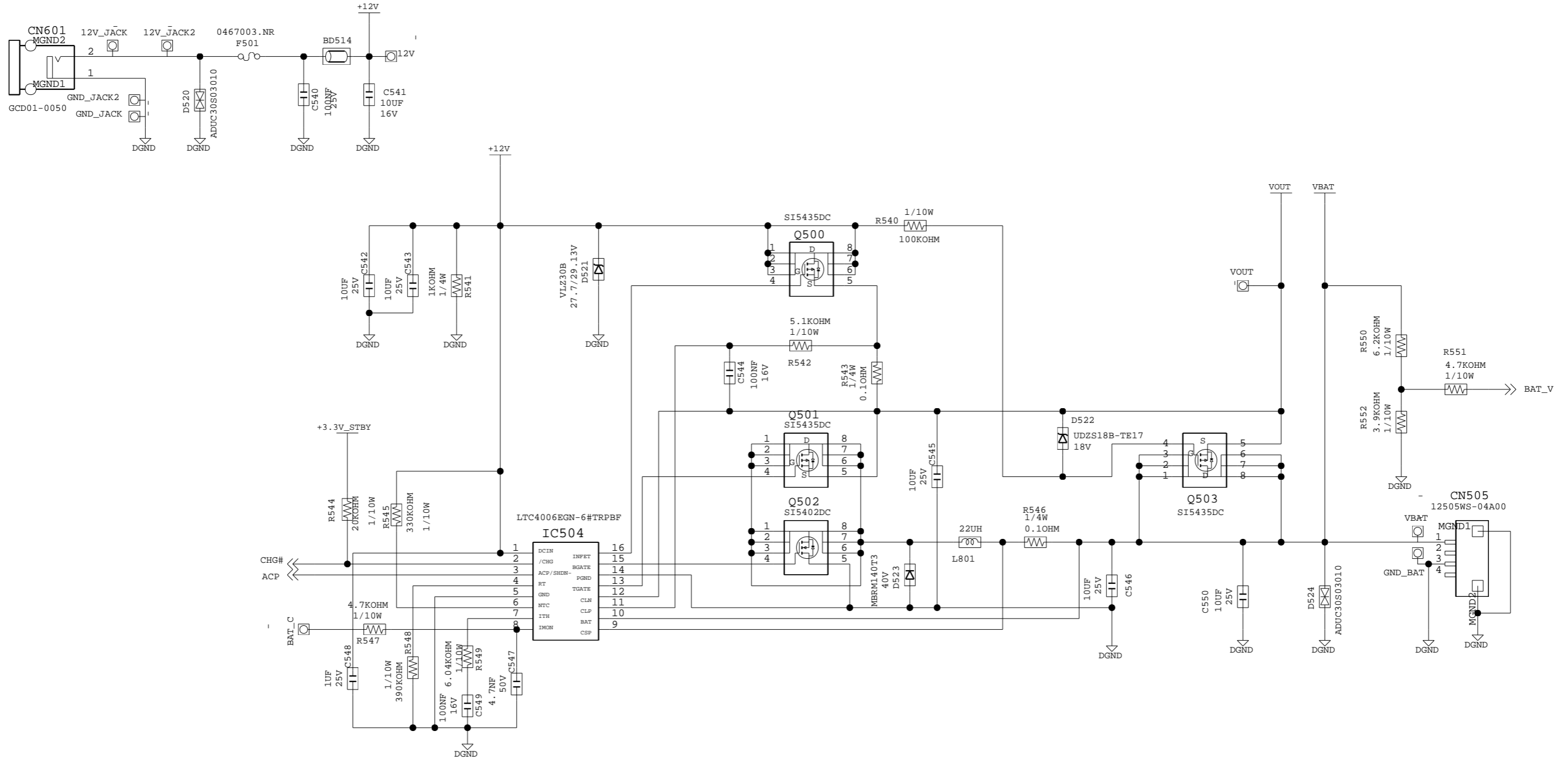


PROJECT NAME		A3		DRAWN BY	
cb10qs_mp1				SM_Kim	
CHECKED BY				SM_Kim	
SAMSUNG		DEV.STEP	REV.	APPROVED BY	
		Unknown	3.0	Unknown	
LAST EDITED TIME				TOTAL PAGE NO.	
Wed Aug 20 13:27:28 2008				7 OF 11	

SAMSUNG PROPRIETARY  
 THIS DOCUMENT CONTAINS CONFIDENTIAL  
 PROPRIETARY INFORMATION THAT IS  
 SAMSUNG ELECTRONIS CO'S PROPRIETARY.  
 DO NOT DISCLOSE TO OR DUPLICATE FOR OTHERS  
 EXCEPT AS AUTHORIZED BY SAMSUNG.

# [ BATTERY ]

BLOCK NAME: cb10qs\_mp1  
 BLK PAGE NO: 8 OF 11



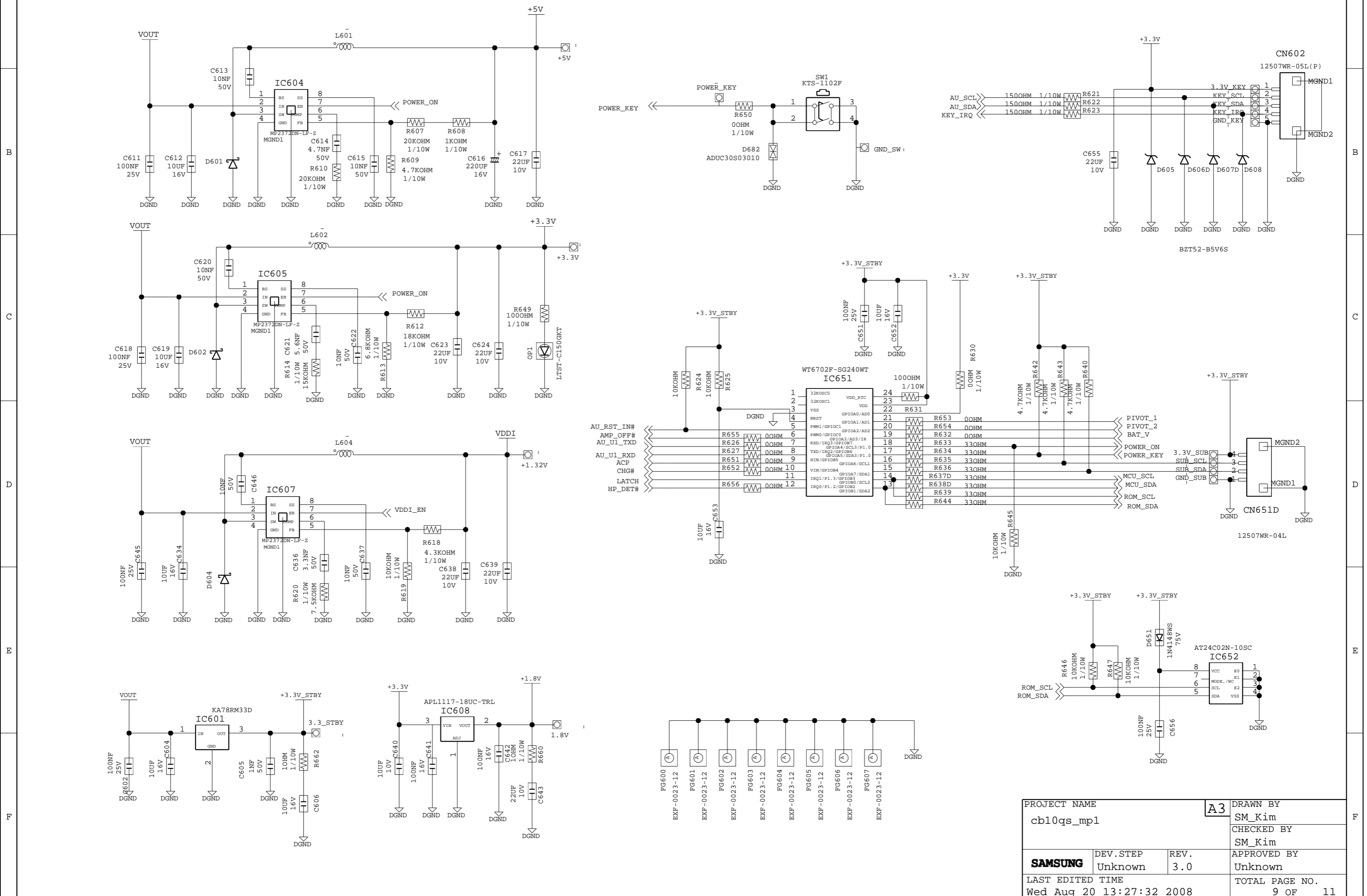
PROJECT NAME		A3		DRAWN BY	
cb10qs_mp1				SM_Kim	
				CHECKED BY	
				SM_Kim	
<b>SAMSUNG</b>		DEV.STEP	REV.	APPROVED BY	
		Unknown	3.0	Unknown	
LAST EDITED TIME		TOTAL PAGE NO.			
Wed Aug 20 13:27:31 2008		8 OF 11			



SAMSUNG PROPRIETARY  
 THIS DOCUMENT CONTAINS CONFIDENTIAL  
 PROPRIETARY INFORMATION THAT IS  
 SAMSUNG ELECTRONICS CO.'S PROPRIETARY.  
 DO NOT DISCLOSE TO OR DUPLICATE FOR OTHERS  
 EXCEPT AS AUTHORIZED BY SAMSUNG.

[ POWER & SUBMICOM ]

BLOCK NAME: cb10qs\_mp1  
 BLK PAGE NO: 9 OF 11

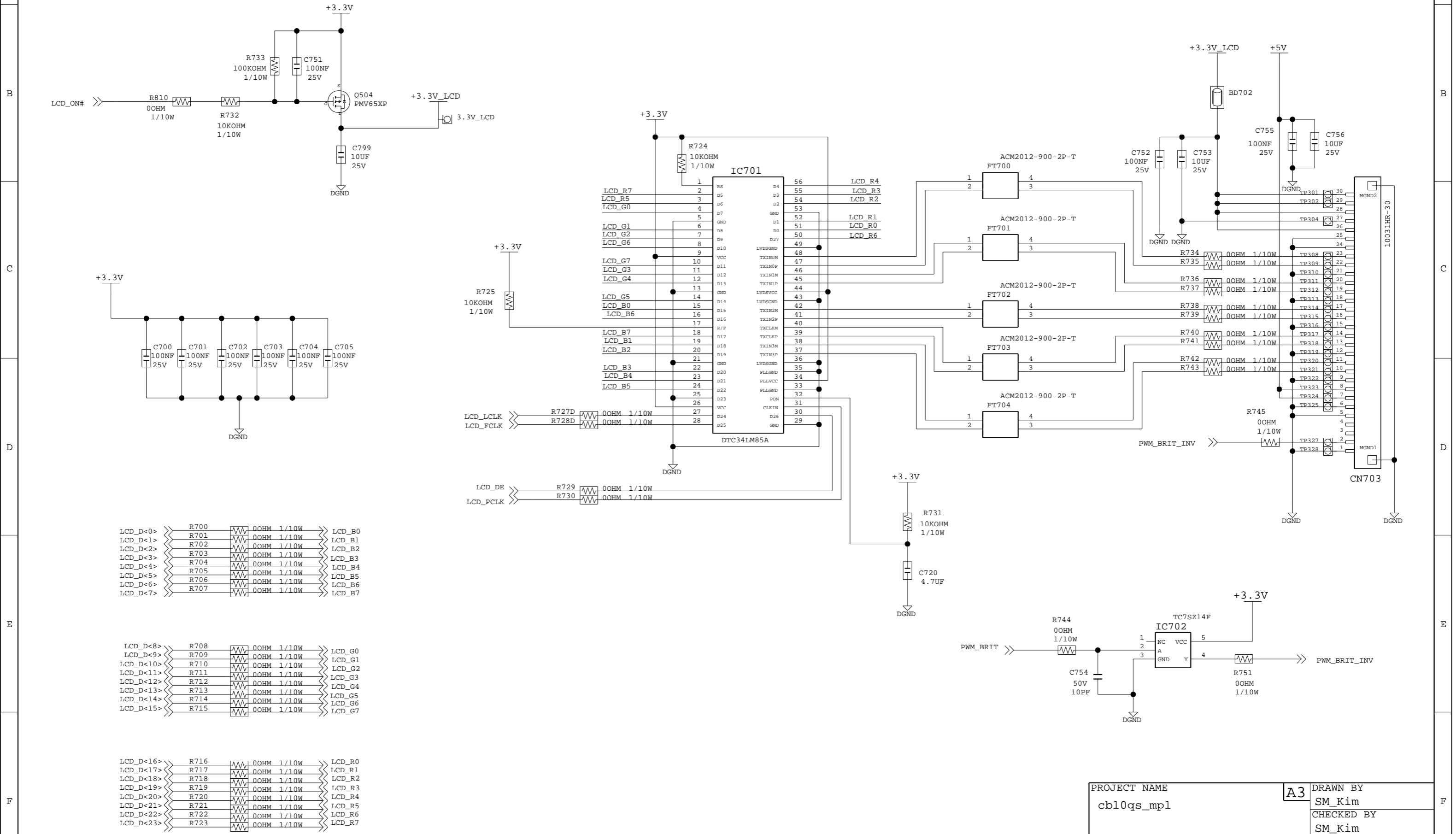


PROJECT NAME		A3		DRAWN BY	
cb10qs_mp1				SM_Kim	
DEV.STEP		REV.		CHECKED BY	
Unknown		3.0		SM_Kim	
APPROVED BY		TOTAL PAGE NO.		9 OF 11	
Unknown					
LAST EDITED TIME					
Wed Aug 20 13:27:32 2008					

SAMSUNG PROPRIETARY  
 THIS DOCUMENT CONTAINS CONFIDENTIAL  
 PROPRIETARY INFORMATION THAT IS  
 SAMSUNG ELECTRONIS CO'S PROPRIETARY.  
 DO NOT DISCLOSE TO OR DUPLICATE FOR OTHERS  
 EXCEPT AS AUTHORIZED BY SAMSUNG.

[ PANEL ]

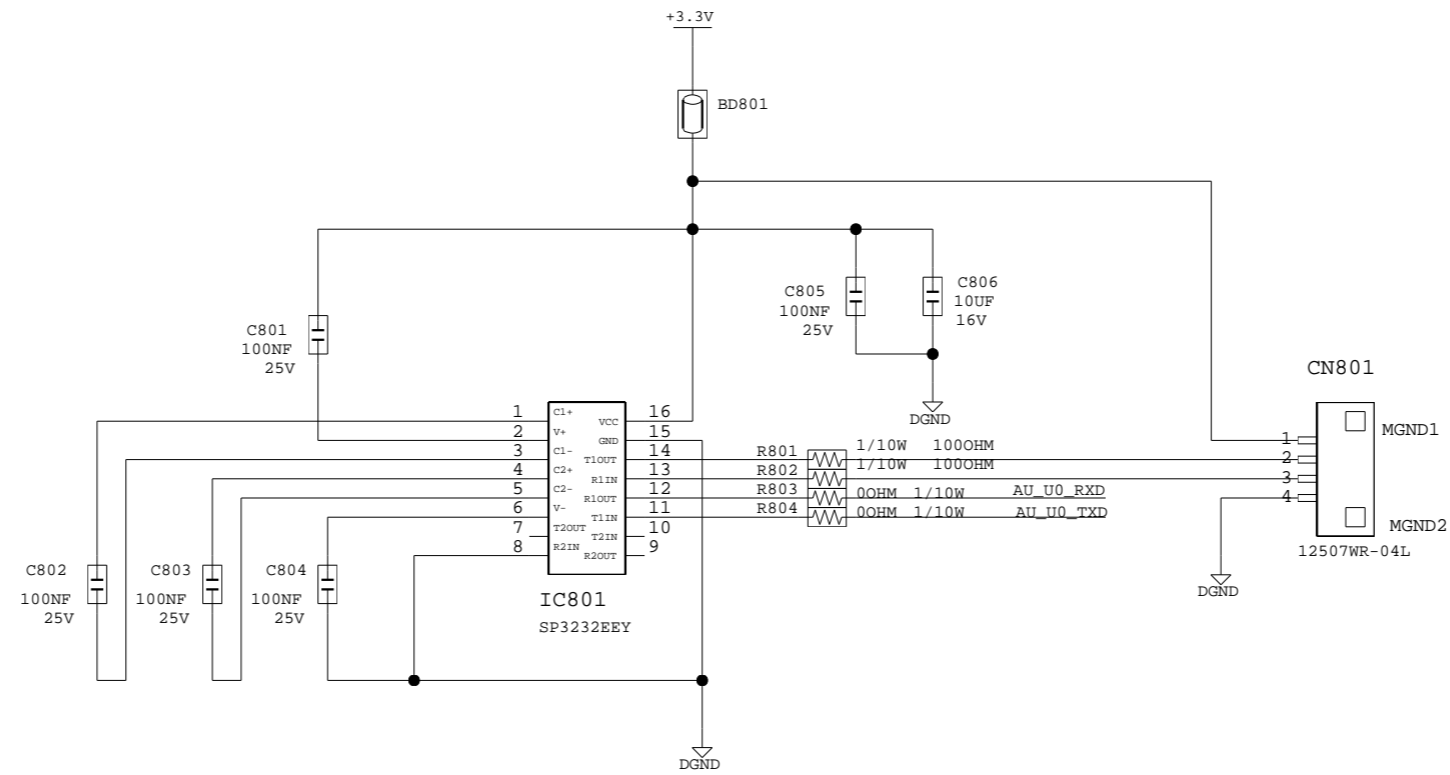
BLOCK NAME: cb10qs\_mp1  
 BLK PAGE NO: 10 OF 11



PROJECT NAME		A3		DRAWN BY	
cb10qs_mp1				SM_Kim	
				CHECKED BY	
				SM_Kim	
SAMSUNG		DEV.STEP	REV.	APPROVED BY	
		Unknown	3.0	Unknown	
LAST EDITED TIME		TOTAL PAGE NO.			
Wed Aug 20 13:27:17 2008		10 OF 11			

SAMSUNG PROPRIETARY  
 THIS DOCUMENT CONTAINS CONFIDENTIAL  
 PROPRIETARY INFORMATION THAT IS  
 SAMSUNG ELECTRONIS CO'S PROPRIETARY.  
 DO NOT DISCLOSE TO OR DUPLICATE FOR OTHERS  
 EXCEPT AS AUTHORIZED BY SAMSUNG.

BLOCK NAME cb10qs_mp1	BLK PAGE NO. 11 OF 11
--------------------------	--------------------------



PROJECT NAME cb10qs_mp1		A3	DRAWN BY SM_Kim
			CHECKED BY SM_Kim
<b>SAMSUNG</b>	DEV.STEP Unknown	REV. 3.0	APPROVED BY Unknown
LAST EDITED TIME Wed Aug 20 13:27:19 2008		TOTAL PAGE NO. 11 OF 11	